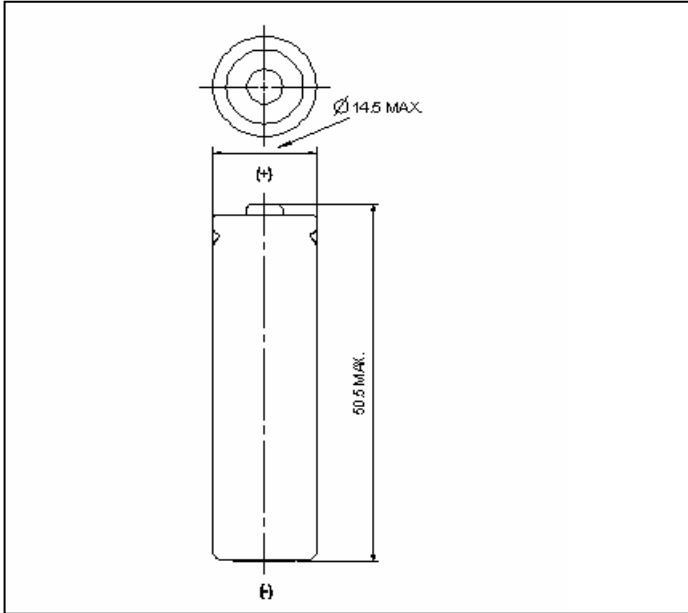


## Nickel Metal Hydride Battery Data Sheet

Type **Low Self Discharge Battery**

AA **High Top EnergyON® 2100mAh**

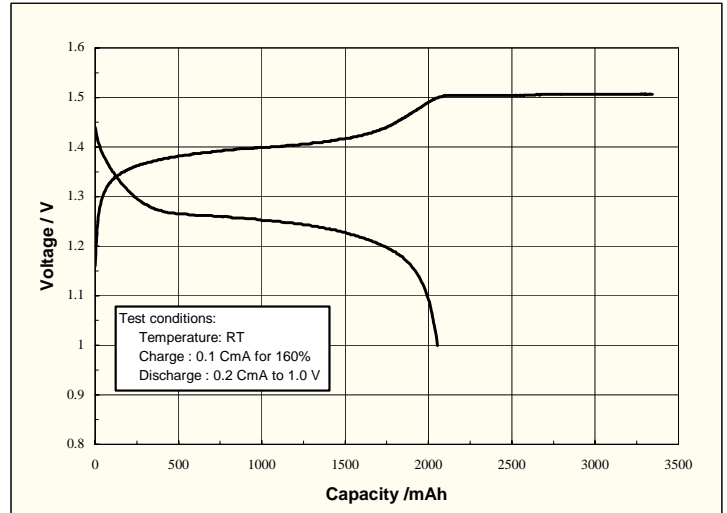
Dimensions (with Tube) (mm)



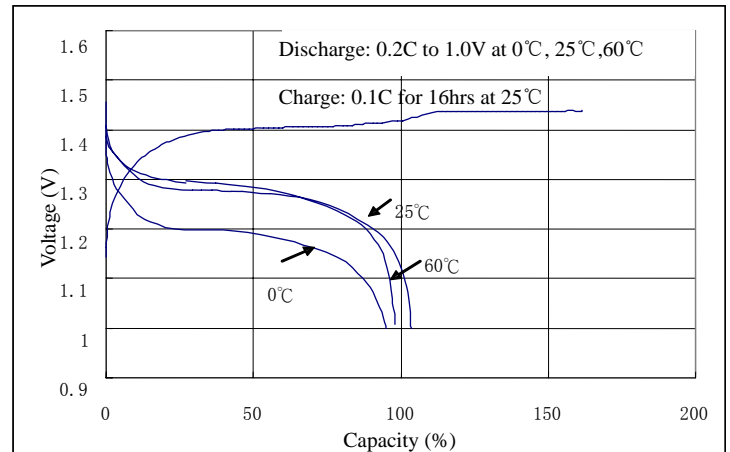
## Specifications

Nominal Voltage		1.2V/cell
Capacity	Typical	2100 mAh/0.2 CmA
	Minimum	1950 mAh/0.2 CmA
Charge	Standard	0.1 CmA for 16 hrs.
	Rapid	0.5 CmA for 2.4hrs.(approx.) (With- $\Delta V = 5\sim 10\text{mV/cell}$ , Temp., Time charging control)
	Trickle	0.03 CmA ( 1 month )
Maximum Discharge Current		2 CmA
Discharge Cut-off Voltage		1.0 V/cell
Cycle Life ( IEC 285 )		500 cycles
Applicable Temperature	Standard Charge	0~+45°C
	Rapid Charge	0~+40°C
	Discharge	-20~+70°C
Storage	Within one year	-20°C ~+30°C
	Within 6months	-20°C ~+35°C
	Within 3months	-20°C ~+40°C
Relative Humidity Range		65%±20%
Dimension		D = 14.5 mm max. H =50.5 mm max.
Weight		Approx. 28.5g

## Typical Charge Characteristics



## Typical Temperature Characteristics



## Typical Capacity Remained at 25°C

Storage Period	Six Months	One Year
Capacity Remained	80%~85%	70%~80%

